

Power-Fab Top-of-Pole Mounts are available in several sizes ranging from 1-module through 24-modules. The rack design is determined by the area of module to be mounted; not necessarily the number of modules. This sheet describes our standard line of mounts. Power-Fab specializes in custom design and fabrication and can build mounts to meet your exact needs.

---

## SPECIFICATIONS

---

### MATERIALS

Strongbacks, Elevation Pivots and Mounting Sleeves are made of heavy gauge steel flat bar, square tubing and pipe or mechanical tubing conforming to ASTM A36 and ASTM A500-Grade B. All parts are mig-welded, burrs are removed, corners are coped and edges are sanded. Steel parts are coated with a minimum of two coats of industrial urethane enamel.

Module Rails are made of mill-finish 6061-T6 structural aluminum angle. All holes are deburred and edges are coped and sanded.

Stainless steel module mounting hardware is provided with each rack. Standard rack assembly hardware is zinc-plated Grade 5.

### ELEVATION ANGLE ADJUSTMENT

Standard Top-of-Pole Mounts have six tilt-angle settings. These positions are positive locking to avoid the possibility of slippage. The racks are balanced about the pivot bolt to make adjustment easy. Other tilt combinations and racks welded at fixed angles are offered as options.

### WINDLOADING CAPABILITY

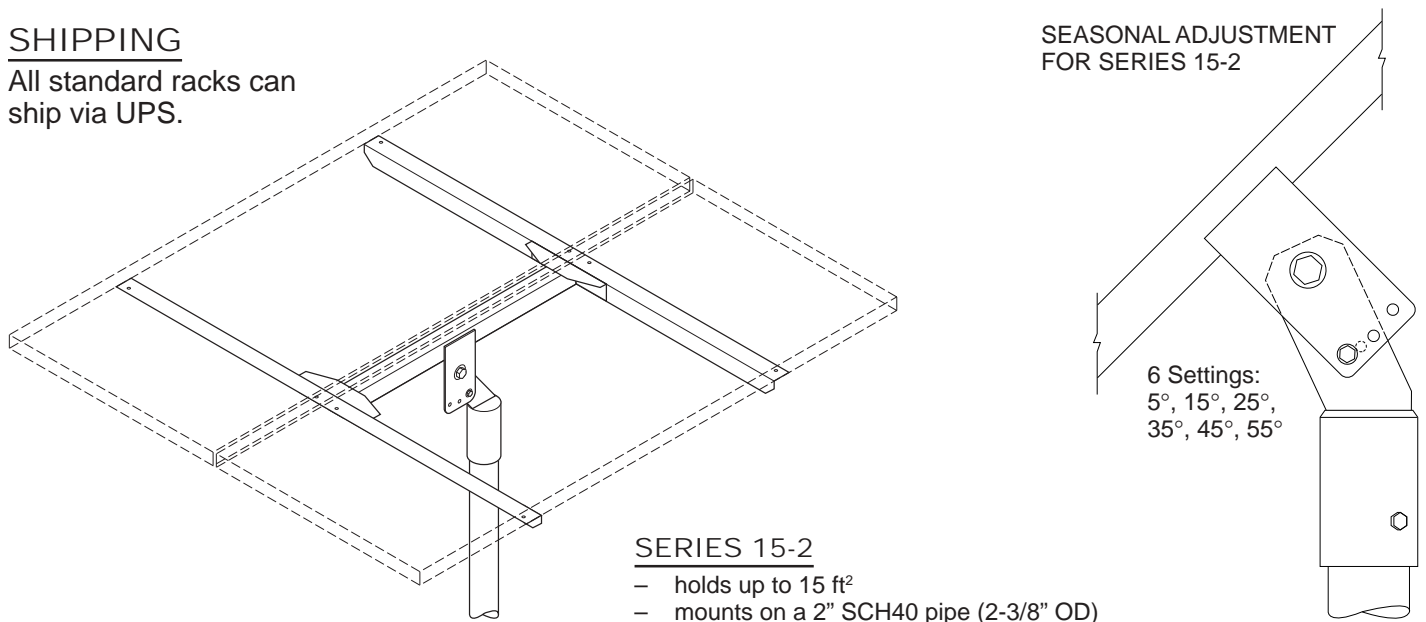
Standard models are designed and warranted to withstand windloads of 30 lbs./ft<sup>2</sup> (approximately 90 mph). Designs capable of withstanding greater loads are available for high-wind areas.

### MOUNTING

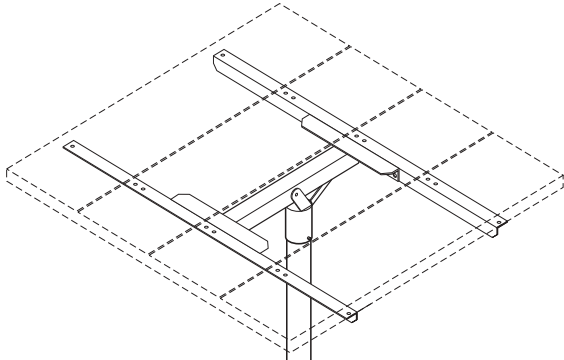
All racks have sleeves sized to slip over readily-available standard sizes of installer-supplied SCH40 steel pipe. The mounting sleeves have set bolts spaced 90° apart to firmly secure the rack to the pole.

### SHIPPING

All standard racks can ship via UPS.



# TOP-OF-POLE MOUNTS (continued)

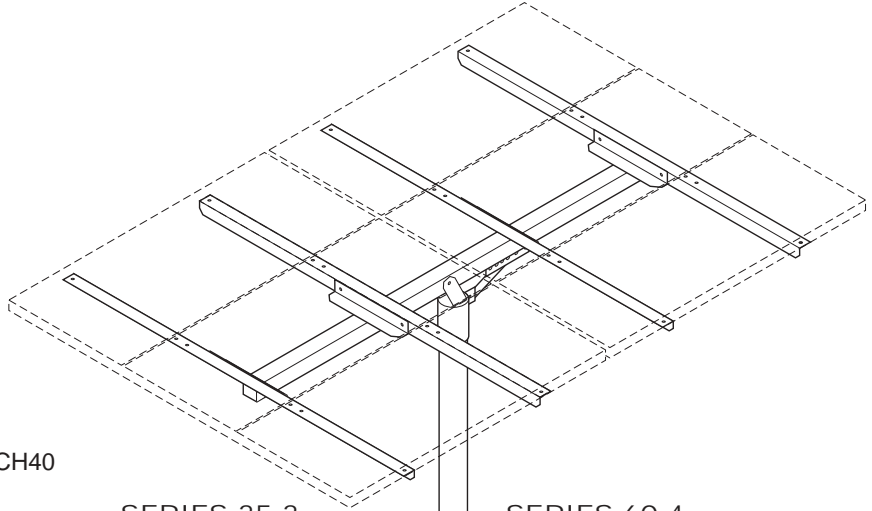


## SERIES 20-2.5

- holds up to 20 ft<sup>2</sup>
- mounts on a 2.5" SCH40 pipe (2-7/8" OD)

## SERIES 28-3

- holds up to 28 ft<sup>2</sup>
- mounts on a 3" SCH40 pipe (3-1/2" OD)



## SERIES 35-3

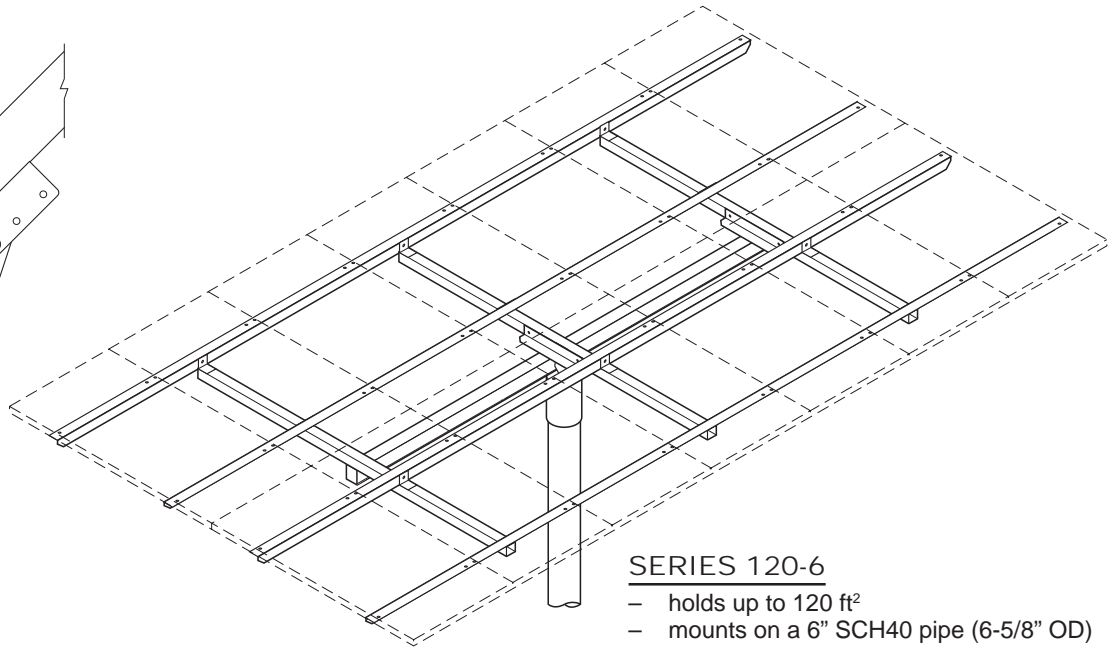
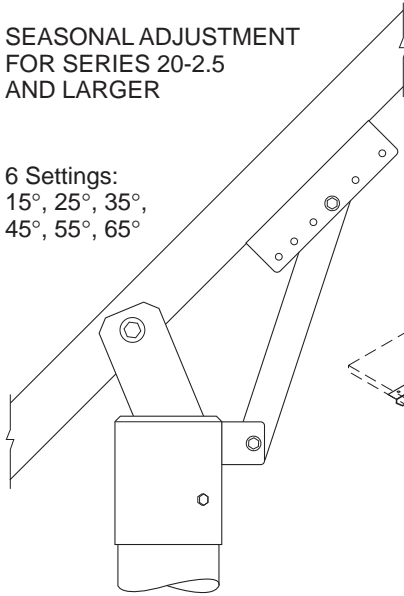
- holds up to 35 ft<sup>2</sup>
- mounts on a 3" SCH40 pipe (3-1/2" OD)

## SERIES 60-4

- holds up to 60 ft<sup>2</sup>
- mounts on a 4" SCH40 pipe (4-1/2" OD)

## SEASONAL ADJUSTMENT FOR SERIES 20-2.5 AND LARGER

- 6 Settings:  
15°, 25°, 35°,  
45°, 55°, 65°



## SERIES 120-6

- holds up to 120 ft<sup>2</sup>
- mounts on a 6" SCH40 pipe (6-5/8" OD)

## OPTIONS

- Hot-dip galvanized steel with anodized aluminum rails
- Combiner box mounting plates
- Custom sleeve sizes
- Custom elevation angle settings
- Tamper-resistant hardware
- All stainless hardware
- Wire holes in cap
- All-welded racks
- Powder coating

REPRESENTED BY:

Power-Fab Side-of-Pole Mounts are available in both painted steel (PS) and aluminum (AL) versions. This sheet describes our standard line of mounts. Power-Fab specializes in custom design and fabrication and can build mounts to meet your exact needs.

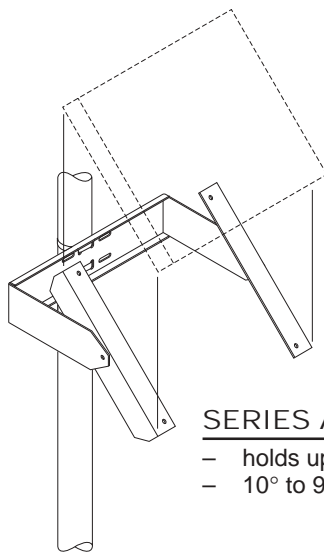
## SPECIFICATIONS

### MATERIALS

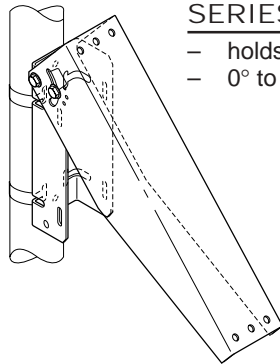
**ALUMINUM (AL) SIDE-OF-POLE MOUNTS:** Formed aluminum parts are made of 5052-H32 aluminum. All extrusions used are 6061-T6 structural alloy. Corners are coped, edges are sanded and holes are deburred. Stainless steel module mounting hardware and rack assembly hardware are provided with each rack.

### ELEVATION ANGLE ADJUSTMENT

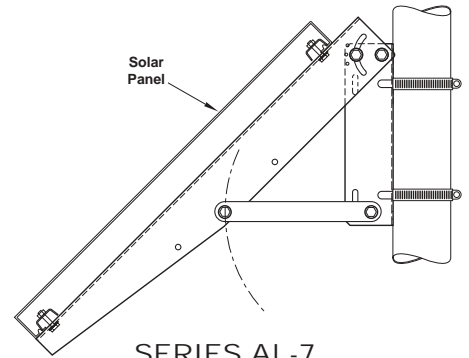
**AL & PS:** Tilt-angle adjustment varies with rack design. See drawings.



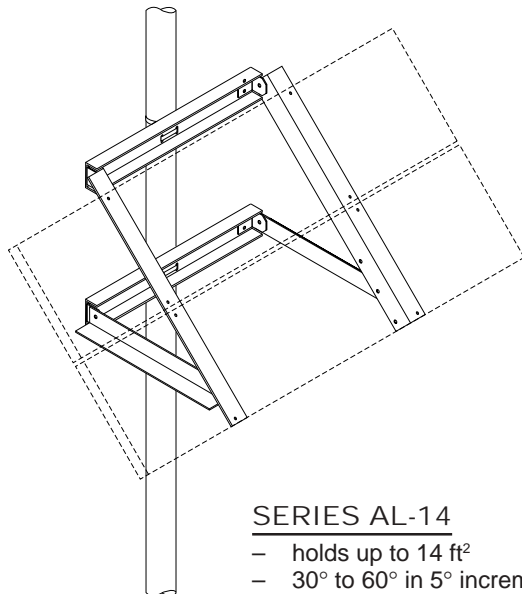
**SERIES AL-1.5**  
- holds up to 1.5 ft<sup>2</sup>  
- 10° to 90° (vertical)



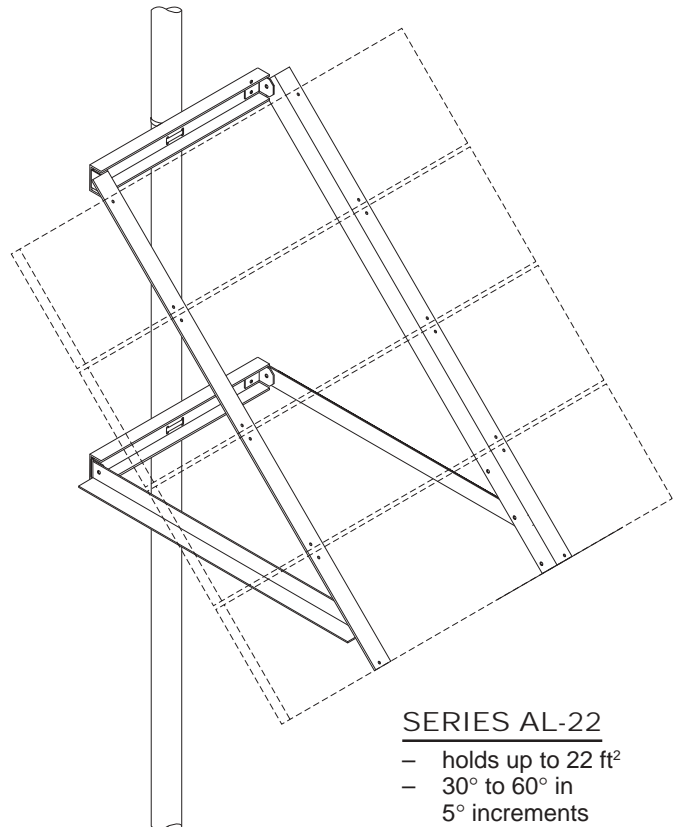
**SERIES AL-5**  
- holds up to 5 ft<sup>2</sup>  
- 0° to 90° (vertical)



**SERIES AL-7**  
- holds up to 7 ft<sup>2</sup>  
- 30°, 45° & 60° standard



**SERIES AL-14**  
- holds up to 14 ft<sup>2</sup>  
- 30° to 60° in 5° increments



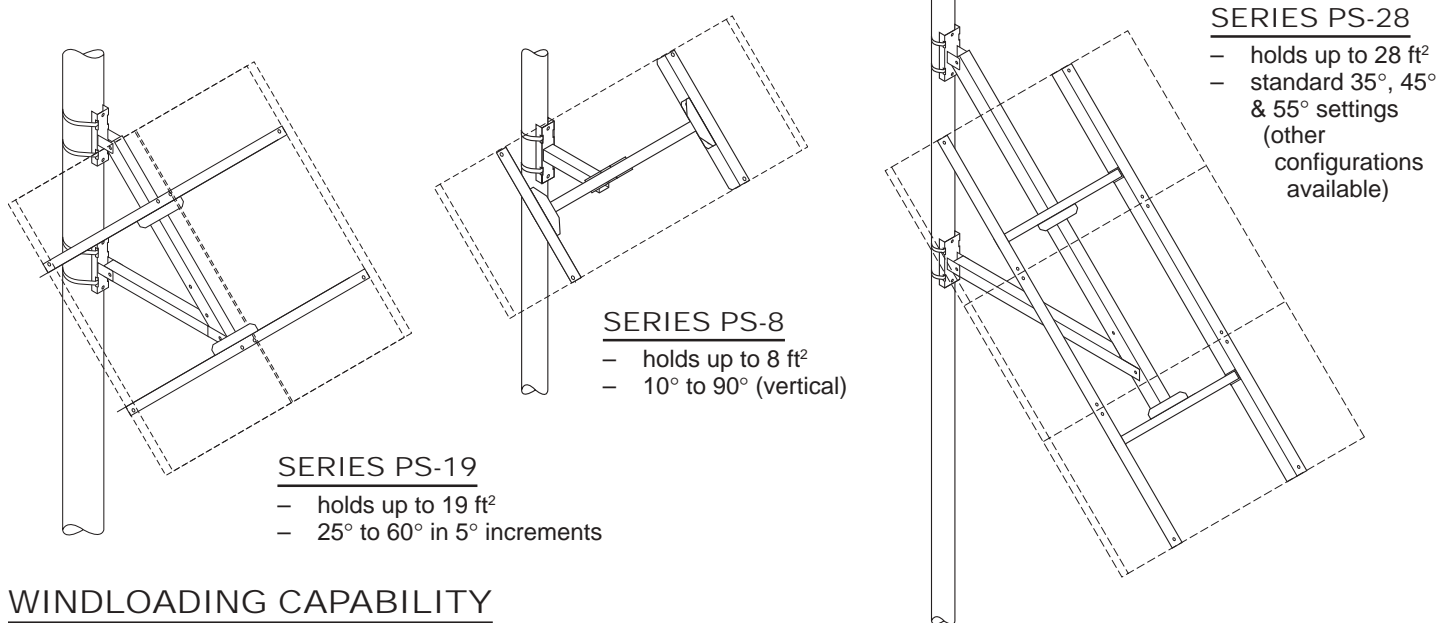
**SERIES AL-22**  
- holds up to 22 ft<sup>2</sup>  
- 30° to 60° in 5° increments

# SIDE-OF-POLE MOUNTS *(continued)*

## MATERIALS

**PAINTED STEEL (PS) SIDE-OF-POLE MOUNTS:** Pole brackets, strongbacks and support struts are made of heavy gauge steel flat bar and square tubing conforming to ASTM A36 and ASTM A500-Grade B. All parts are mig-welded, burrs are removed, corners are coped and edges are sanded. Steel parts are coated with a minimum of two coats of industrial urethane enamel.

Module Rails are made of mill-finish 6061-T6 structural aluminum angle. All holes are deburred and edges are coped and sanded. Stainless steel module mounting hardware is provided with each rack. Standard rack assembly hardware is zinc-plated Grade 5.



## WINDLOADING CAPABILITY

**AL & PS:** Standard models are designed and warranted to withstand windloads of 30 lbs./ft<sup>2</sup> (approximately 90 mph). Designs capable of withstanding greater loads are available for high-wind areas.

## MOUNTING

**AL & PS:** Most Power-Fab Side-of-Pole Mounts are attached to the pole with stainless steel band clamps (provided). Two or four band clamps are used depending on the design. Series AL-22 and PS-28 come with band clamps for 3" to 5" OD poles. All other racks are supplied with clamps for 2" to 4" OD poles. Many other sizes are available; please specify pole sizes when ordering. These racks can also be u-bolted or lag-bolted to poles (square or round) and to the sides of buildings or other vertical surfaces. Brackets are also available for mounting to ROHN towers and wood telephone poles.

## SHIPPING

**AL & PS:** All standard racks can ship via UPS.

## OPTIONS

- Anodized aluminum
- Custom size band clamps
- Tamper-resistant hardware
- Combiner box mounting plates
- Hot-dip-galvanized steel
- Custom elevation angle settings
- Brackets for trees
- ROHN tower mounts
- Fixed-angle mounts

**REPRESENTED BY:**

Power-Fab Roof/Ground Mounts are available in several sizes and styles in both aluminum (AL) and painted steel (PS) versions. In addition to the standard configuration, we offer both low-profile and two-tier designs. Both one-piece (OP) and telescoping-leg (TL) sets are available. This sheet describes our standard line of roof/ground mounts. Power-Fab specializes in custom design and fabrication and can build mounts to meet your exact needs.

## SPECIFICATIONS

### MATERIALS

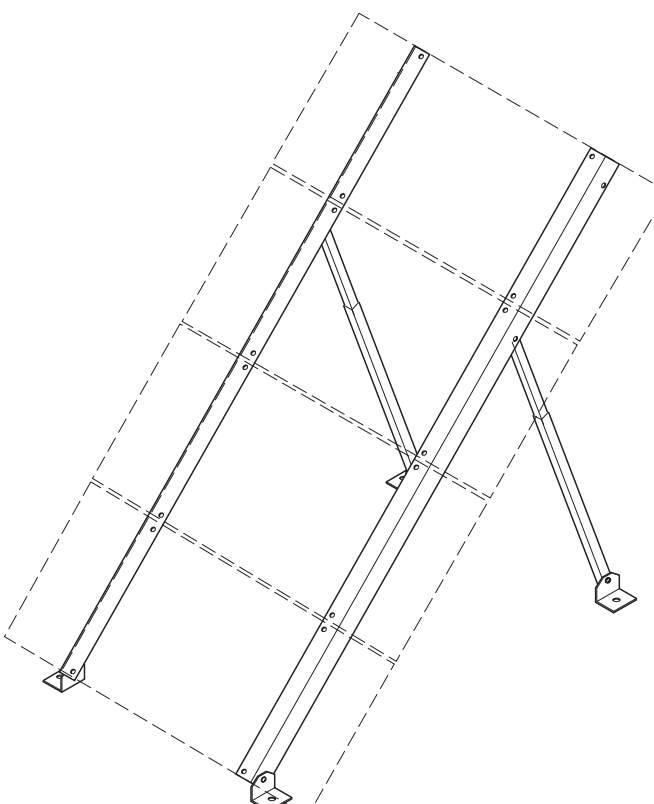
**ALUMINUM (AL) ROOF/GROUND MOUNTS:** Module rails and legs are made of mill-finish 6061-T6 structural aluminum angle. Some large racks are made of 6061-T6 structural aluminum channel. Clear anodizing is available as an option.

**PAINTED STEEL (PS) ROOF/GROUND MOUNTS:** Module rails and one-piece legs are made of ASTM A36 steel angle. Telescoping leg sets are made of ASTM A500-Grade B steel square tubing. Steel racks are coated with a minimum of two coats of industrial urethane enamel. Hot-dip-galvanizing is available as an option.

Both aluminum and steel racks come with stainless steel module mounting hardware and Grade 5 zinc-plated rack assembly hardware. Standard mounting feet are made of steel and are hot-dip-galvanized after fabrication.

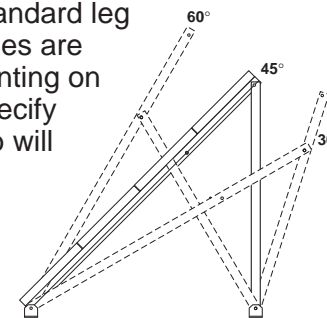
**SRGM STANDARD ROOF/GROUND MOUNTS**

Modules are racked with length horizontal, stacked one above the other. Models are available to hold from 1 to 10 modules (depending on module width).



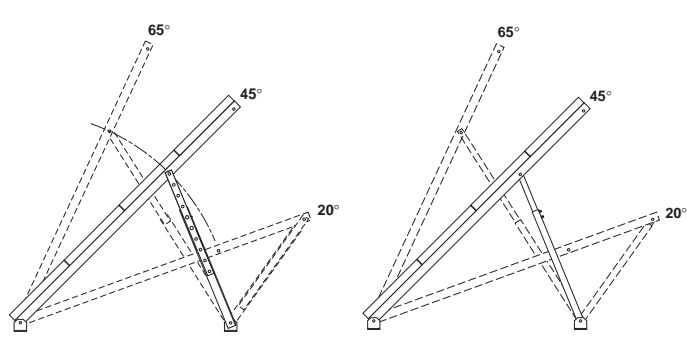
**LEG STYLES AND SEASONAL ADJUSTMENT (for all roof ground mounts)**

These are Power-Fab standard leg configurations. Other styles are available. If you are mounting on a pitched roof, please specify the slope and Power-Fab will modify the legs to suit.



**NOTE:** All roof/ground mounts can be set at 0° (parallel to mounting surface) by removing the back legs.

**ONE-PIECE LEG**  
Painted Steel & Aluminum  
3 Set-Points: 30°, 45°, 60°



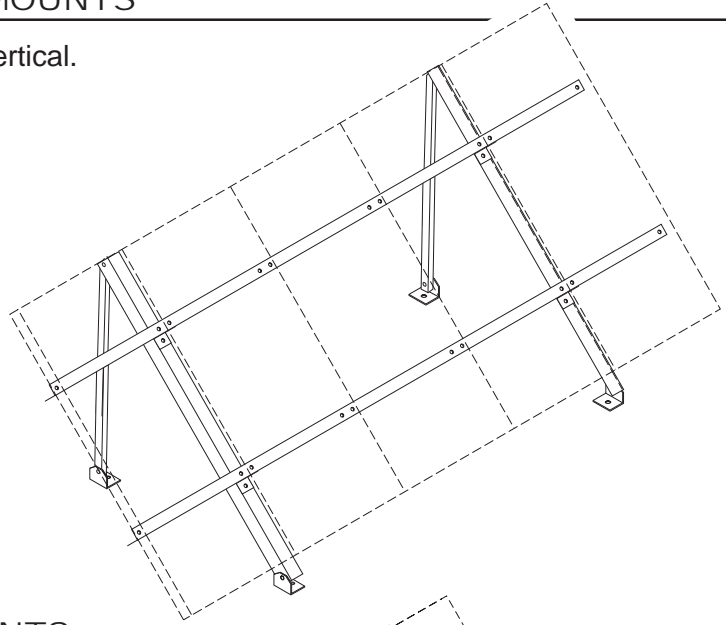
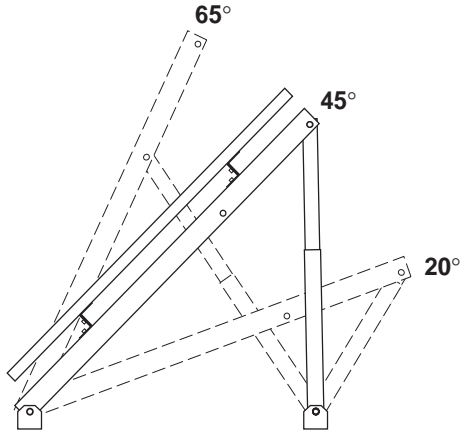
**TELESCOPING LEG**  
Aluminum  
Tilt Range: 20° to 65°

**TELESCOPING LEG**  
Painted Steel  
Tilt Range: 20° to 65°

# ROOF/GROUND MOUNTS *(continued)*

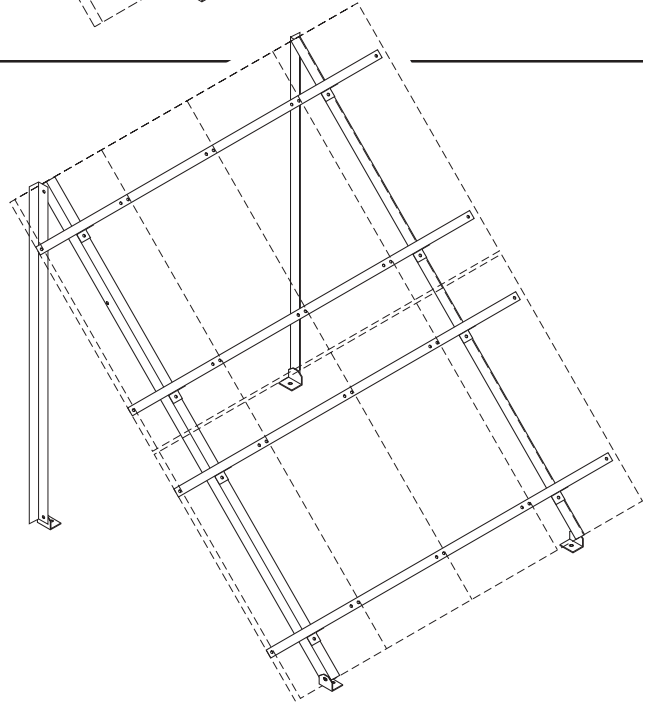
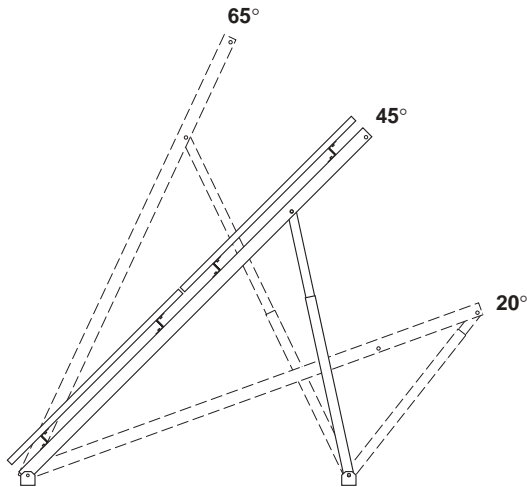
## LPRGM LOW-PROFILE ROOF/GROUND MOUNTS

Modules are racked side-by-side with module length vertical. Models are available to hold from 4 to 12 modules (depending on module width).



## TTRGM TWO-TIER ROOF/GROUND MOUNTS

Modules are racked in two rows with module length vertical. Models are available to hold from 4 to 14 modules (depending on module width).



## SHIPPING

Most roof/ground mounts ship via UPS. Models with module rails longer than 108" must ship motor freight.

## OPTIONS

- Anodized aluminum
- Tamper-resistant hardware
- Custom elevation angle settings
- Powder coating
- Stainless steel
- Hot-dip-galvanized steel
- Combiner box mounting plates
- Snow-clearance extensions
- Vertical wall mounts

REPRESENTED BY: